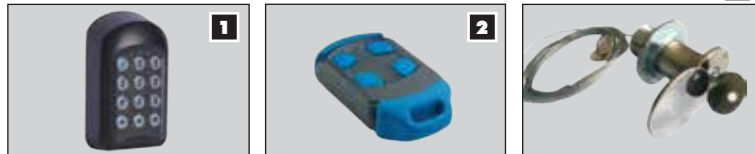


TECHNICAL SPECIFICATIONS

RDO	
Door operator	Drive unit attached directly to door drum
Controller	Wall-mounted unit with integrated light
Input voltage	220V - 240V AC +/- 10% @ 50Hz ¹
Motor voltage	24V DC
Motor power supply	Battery driven ² - 200mA charger - peak
Battery charger	Plug-in - 250mA @ 13.8V DC
Opening lift force	30kgf
Door travel speed	100 - 150mm/sec
Duty cycle - mains present	20% ^{3,4}
Daily operations	20
Opening/closing travel limit	Maximum: 2.4m
Inherent safety mechanism	Electronic (adjustable)
Light	15W 24V DC Edison screw
Onboard receiver type	Code-hopping, 433MHz
Receiver code memory	22 transmitter buttons
Receiver frequency	433MHz
Remote control included	1 x CENTURION code-hopping transmitter

1. Can operate off a solar supply, consult CENTURION for assistance
2. Two x 1.2Ah batteries (can be upgraded for longer power failure autonomy)
3. Based on a lifting force of less than 50% of rated
4. Based on 25°C ambient temperature



SMARTGUARD or SMARTGUARDair keypad

Cost-effective and versatile wired and wireless keypad, allowing access to pedestrians

CENTURION transmitters

Available in one-, two-, three- and four-button variants. Incorporates code-hopping encryption

External manual override

Key operated release for convenient manual override of dooropener from the outside



Infrared Gate Safety Beams

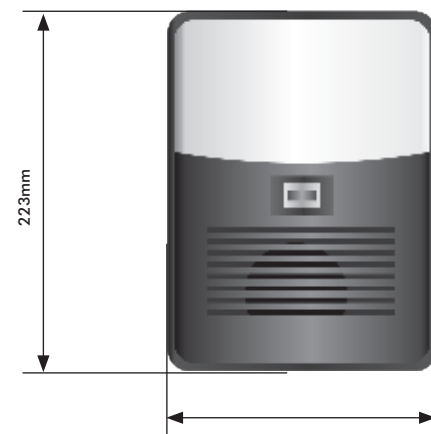
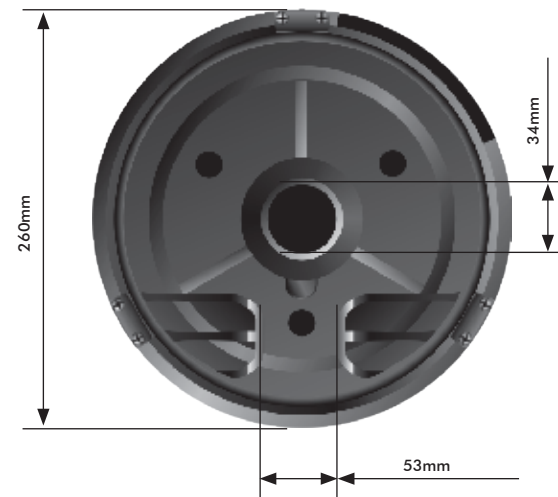
Always recommended on any gate or door automation installation



Wireless Wall Switch

The four-button Wireless Wall Switch can operate the door, turn on the light and activate Holiday Lockout all without running any unsightly wires (included with each RDO kit)

OVERALL DIMENSIONS



GARAGE DOOR OPERATORS

Reliable and compact operator for domestic roll-up garage doors



GARAGE DOOR OPERATOR



This is the way we like to roll! With our **RDO** that is.

A 24V DC high-torque motor, operating so quietly you'll need to look at the door just to be sure that it's moving.

With an **RDO** not even power outages can close you down.

Its reliable battery backup will keep you coming and going like there's no tomorrow.

All this opening and closing had better be safe and secure. Utilising CENTURION's ultra-secure code-hopping remote controls, and coupled with its anti-crushing sensitivity, the **RDO** has you covered.

MAIN FEATURES



Fitted for safety

The motor is mounted on the inside of the drum, giving no exposure to dangerous moving parts. The sensitive anti-crushing system technology adds to the safety features of the system, making it a truly safe operator.



Powerful, quiet DC motor with battery backup

A high-torque, potent DC motor will lift your roll-up door silently. Driven by a 24V battery supply, the system provides uninterrupted operation regardless of power outages.



Minimum side room

The motor can be fitted in an extremely narrow opening due to the clever, compact design of the unit.



Autoclose¹

Look, Ma, no hands! If you forget to close your garage door, your **RDO** will do it for you – if you've activated the Autoclose feature. Or maybe you're moving stuff out of your garage and need the door to remain open – overriding Autoclose is as easy as pressing a button!

1. Infrared safety beams need to be installed to utilise the Autoclose feature



Onboard receiver with code-hopping security

A home security system that fits in your pocket. Our four-button code-hopping remote control utilises the same technology found in top of the range vehicle security systems and can control your **RDO**, home alarm system, automatic gate motors and whatever else you need to feel safe. Rest easy, knowing there's a CENTURION standing guard.



Easy to commission

Incorporating mechanical end-of-travel and safety force micro switches, the opening and closing positions and anti-crushing settings are simple and easy to adjust.



Courtesy Light Control

The **RDO**'s onboard light is always at your beck and call. Have it work as a Courtesy Light, bathing your garage in a welcoming glow when the operator is activated, or switch it on and off as needed, using one of the Wireless Wall Switch or remote control buttons. Need to get a wrench from your garage to fix a leaky faucet in the middle of the night? Let the **RDO** light the way!



Ease of installation and adjustment

Ready. Set. Go! Mount the controller and slide the operator into the drum. Adjust the limits and spring tension and then add the remote controls. Within minutes of arriving on site, the unit can be assembled, installed and set up. Such ease saves time, saves money!



Convenient template learning

In a hurry? Thanks to the **RDO**'s intelligent template learning feature, you can learn all the buttons on your four-button remote control or Wireless Wall Switch in a set configuration in a matter of seconds!



Anti-crushing control

RDO sensors ensure that your garage door will never close on your child, car or pet - if an obstruction is detected the door will stop and reverse immediately. (Safety beams are recommended on any gate or door automation installation).