

INDUSTRIAL SOLUTIONS

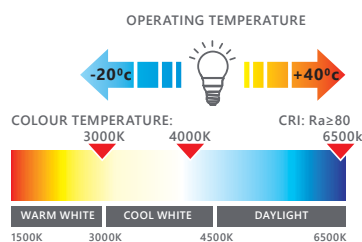
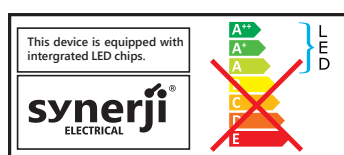
Synerji Electrical has a range of high-quality Industrial fittings to provide a solution for your needs.

IES files are available for lighting designs.

All Synerji Industrial Fittings comply with the IEC 60598 standard.

CONTENTS

LED T8 Glass Tubes	92
LED T8 Glass Tubes with Microwave Sensor	93
Weatherproof Fittings - Wired for LED Tubes	94
LED Panel Lights	95
LED UFO High Bays	96
LED Linear High Bays	97
LED Canopy Fittings	98



T8 GLASS TUBES

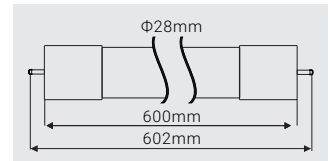
9W | 14W | 18W | 24W



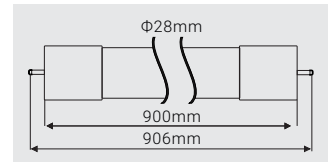
DIMENSIONS



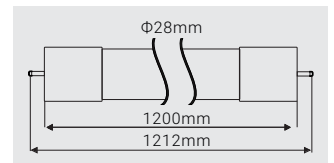
SYLEDT09W



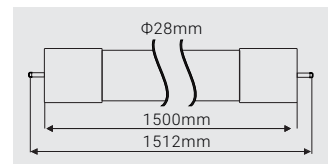
SYLEDT14W



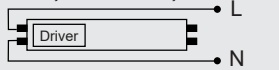
SYLEDT18W



SYLEDT24W



Built-in driver gives no compromise on stability and life warranty.



	9W 900lm	14W 1400lm	18W 1800lm	24W 2400lm	270° BEAM ANGLE	25000 LIFESPAN HRS	0.90 POWER FACTOR		3000K WARM WHITE	4000K COOL WHITE	6000K DAYLIGHT
--	--------------------	----------------------	----------------------	----------------------	------------------------------	---------------------------------	--------------------------------	--	-------------------------------	-------------------------------	--------------------------

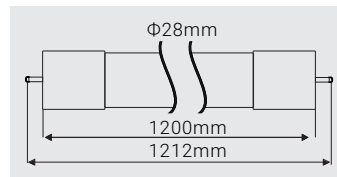
T8 GLASS TUBE WITH MICROWAVE SENSOR

18W

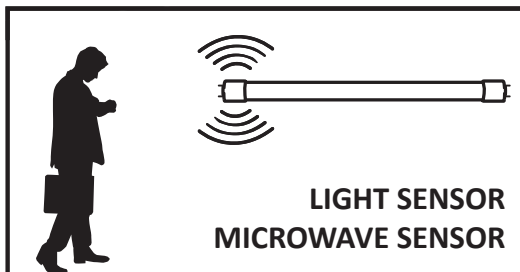
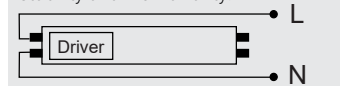
SYLEDTG18WSENDL



DIMENSIONS



Built-in driver gives no compromise on stability and life warranty.



G13	1800lm DAYLIGHT	270° BEAM ANGLE	25000 LIFESPAN HRS	0.90 POWER FACTOR	NON DIMMABLE	6500K DAYLIGHT
-----	---------------------------	---------------------------	------------------------------	-----------------------------	--------------	--------------------------

T8 WEATHERPROOF FITTING
WIRED FOR LED TUBES

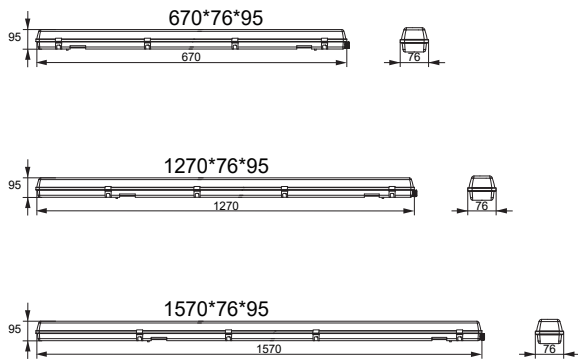


SINGLE | DOUBLE
SYFWWLED

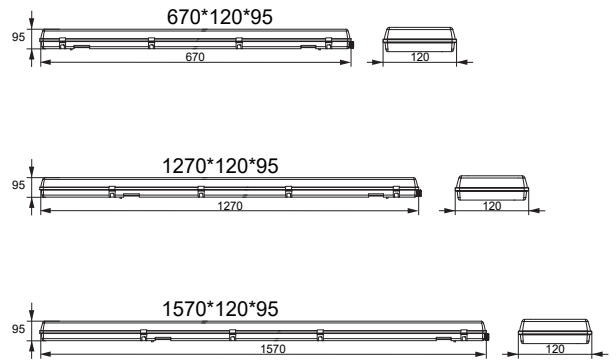


GEAR TRAY HOLDER

DIMENSIONS - SINGLE



DIMENSIONS - DOUBLE



- INDOOR/
OUTDOOR
- CORROSION
PROOF
- WATER
PROOF
- DUST
PROOF
- NON
DIMMABLE

PANEL LIGHT

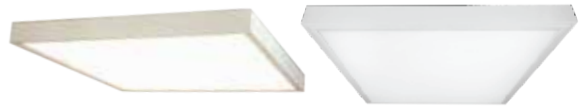
32W | 72W

**Flicker
FREE**

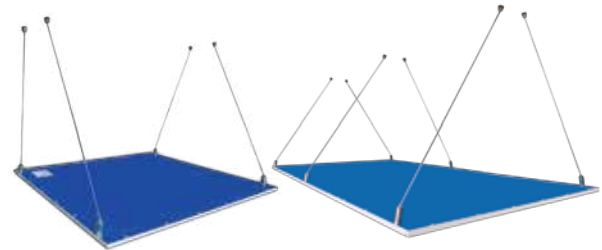


ACCESSORIES

SURFACE MOUNT ALUMINIUM BRACKET
SYLFPNSB06060 / SYLFPNSB12060



SURFACE HANGING CABLE
SYLFPNSBCH06060 / SYLFPNSBCH12060



32W 3000lm LUMENS	72W 7000lm LUMENS	30000 LIFESPAN HRS	0.95 POWER FACTOR	IP20 RATING
--------------------------------	--------------------------------	---------------------------------	--------------------------------	-----------------------

UFO HIGH BAY

100W | 150W | 200W

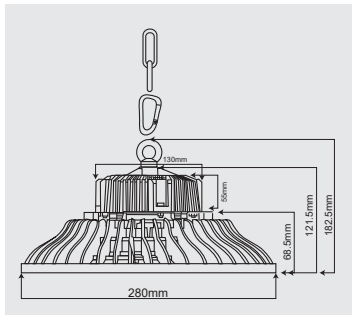


SYLHBUFO100W

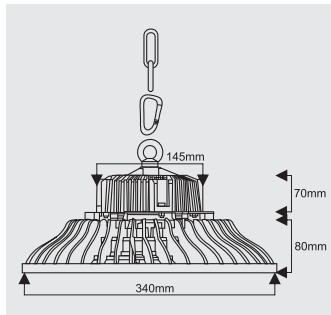
SYLHBUFO150W

SYLHBUFO200W

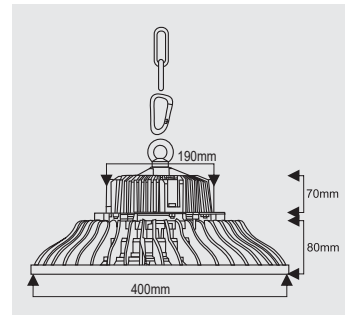
DIMENSIONS - 100W



DIMENSIONS - 150W



DIMENSIONS - 200W



100W 11700lm LUMENS	150W 19300lm LUMENS	200W 25200lm LUMENS	90° BEAM ANGLE	35000 LIFESPAN HRS	0.95 POWER FACTOR	IP65 RATING	4000K COOL WHITE	6000K DAYLIGHT
----------------------------------	----------------------------------	----------------------------------	-----------------------------	---------------------------------	--------------------------------	-----------------------	-------------------------------	--------------------------

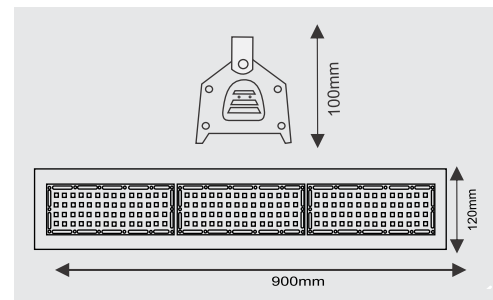
LINEAR HIGH BAY

150W



SYLHBLIN150WDL

DIMENSIONS

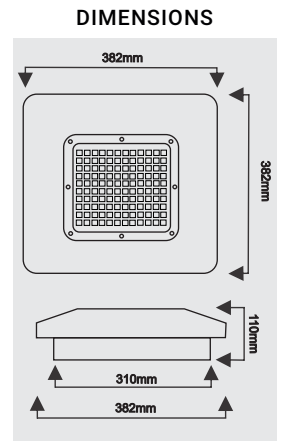


18700lm LUMENS	6000K DAYLIGHT	90° BEAM ANGLE	35000 LIFESPAN HRS	0.95 POWER FACTOR	IP65 RATING
--------------------------	--------------------------	-----------------------------	---------------------------------	--------------------------------	-----------------------

CANOPY FITTING

150W

SYLHBPET150WDL



17600lm LUMENS	6000K DAYLIGHT	120° BEAM ANGLE	35000 LIFESPAN HRS	0.95 POWER FACTOR	IP65 RATING
--------------------------	--------------------------	------------------------------	---------------------------------	--------------------------------	-----------------------



